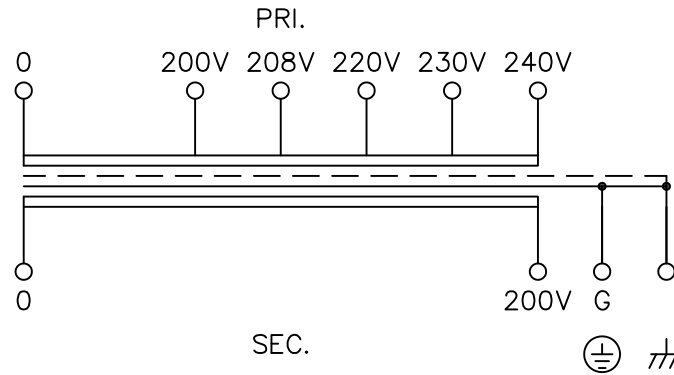
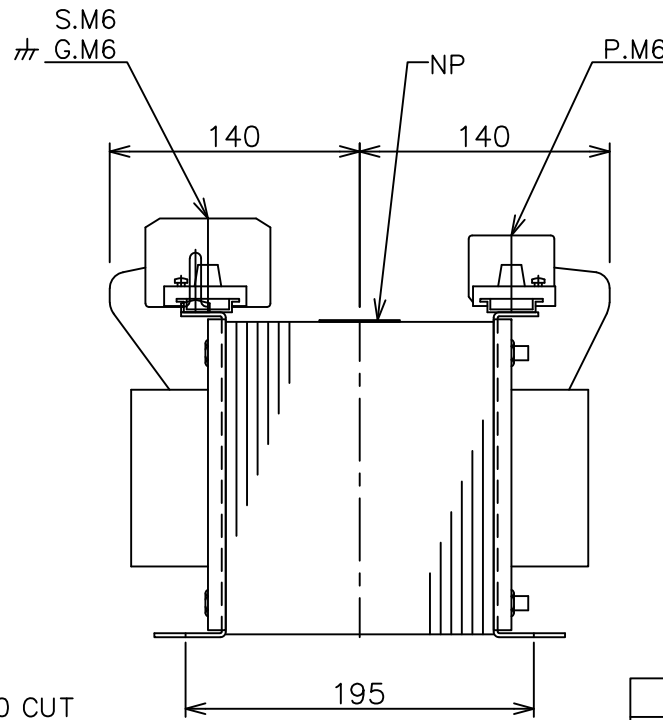
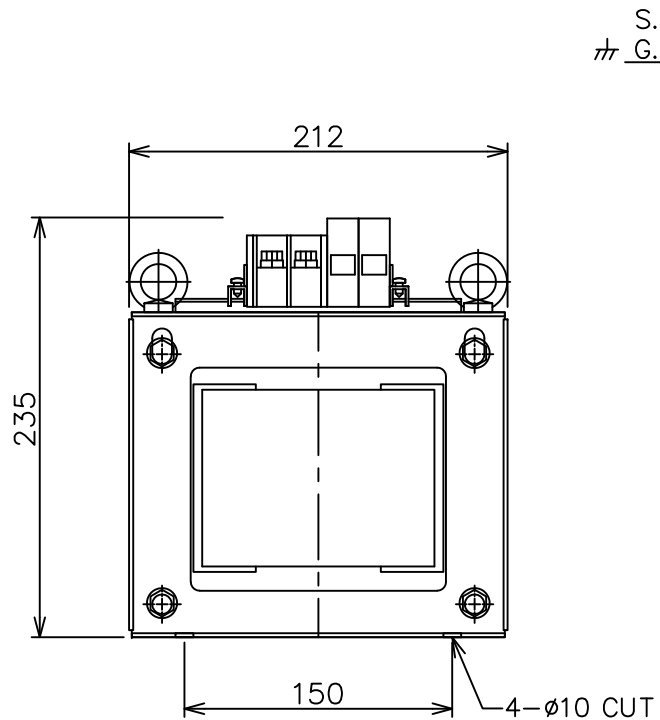


For indoor use only SPECIFICATION



|                       |                                    |                     |      |
|-----------------------|------------------------------------|---------------------|------|
| MODEL                 | FUL22-5K                           |                     |      |
| STANDARD              | EN61558-2-4                        | UL506               |      |
| PHASE                 | (Φ)                                | 1                   |      |
| FREQUENCY             | (Hz)                               | 50/60               |      |
| CAPACITY              | (kVA)                              | 5                   |      |
| PRI. VOLTAGE          | (V)                                | 200,208,220,230,240 |      |
| SEC. VOLTAGE          | (V)                                | 200                 |      |
| SEC. CURRENT          | (A)                                | 25                  |      |
| PERCENT IMPEDANCE     | (%)                                | 2.8/3.0             |      |
| DIELECTRIC STRENGTH   | (V/min) P-S,G                      | 4200                | 2500 |
|                       | (V/min) S-G                        | 4200                | 2500 |
| INSULATION RESISTANCE | more than 100 MΩ at DC 500V Megger |                     |      |
| RATING                | CONTINUOUS                         |                     |      |
| CLASS                 | H (SYSTEM 16)                      |                     |      |
| MASS                  | (kg)                               | 44.2                |      |
| MAX.AMBIENT TEMP.     | (℃)                                | 40                  |      |
| MAX.TEMP.RISE         | (K)                                | 125                 | 120  |
| PRI. CIRCUIT BREAKER  | 50A (EN60947-2)                    |                     |      |
| SEC. CIRCUIT BREAKER  | 25A (EN60947-2)                    |                     |      |
| PROTECTION DEGREE     | IP00                               |                     |      |
| IEC MARK              |                                    |                     |      |
| TUV & CE MARK         |                                    |                     |      |
| UL MARK               |                                    |                     |      |
| UL FILE No.           | E252316                            |                     |      |



|      |  |            |
|------|--|------------|
| 1    | Geographical plot of a rated nameplate | 2008/03/13 |
| MARK | DESCRIPTIONS                           | DATE       |

| REVISIONS                      |           |                             |                             |
|--------------------------------|-----------|-----------------------------|-----------------------------|
| NAME                           | DATE      | SCALE                       |                             |
| DRAWN BY                       | S.Mine    | 2006/12/20                  | TITLE<br><b>TRANSFORMER</b> |
| CHECKED BY                     | T.Ariyama | 2006/12/20                  |                             |
| FUKUDA ELECTRIC WORKS CO.,LTD. |           | DRAWING No.<br>T-42768-5K-M |                             |